



25th Asia-Pacific Regional Scout Jamboree
 28 December 2005 – 03 January 2006
 Sattahip, Chonburi, Thailand

Display Panel Reservation Form

Name of Association

A free exhibition stand (two panels) will be provided to each association/ country.

One display panel size 1.2 m x 1.2 m (1.2 m width and 2 m height)

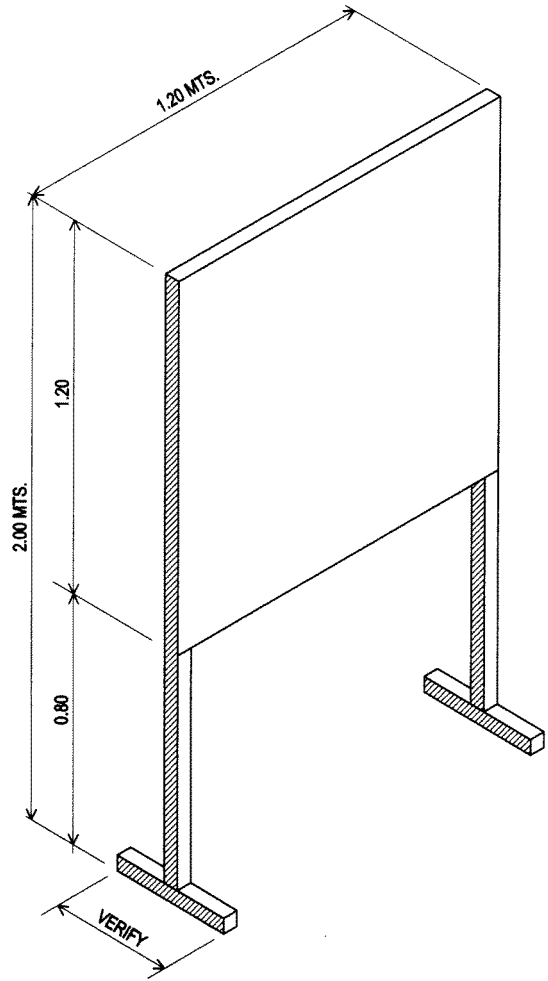
- We would like to request the space for a display of our Organization**
- We do not want to reserve a display space**

If you would like to have more panels, how many more would you need?

- 3 panels
- 4 panels
- 5 panels
- 6 panels
- _____ panels

Remarks:

.....



Signature: _____

Name of Responsible Person:

Position:

Date Sent:

(dd/mm/yy)